

# Models 567TL, 567TS

## Current Transformers Window Size 4.75" x 3.75"

### Application

Metering

### Frequency

50-400 Hz

### Insulation Level

600 Volts, 10 kV BIL full wave

### Continuous Thermal Current Rating Factor

1.33 at 30 °C. amb., 1.0 at 55 °C. amb.

TL-Terminals are brass studs No. 10-32 with one flatwasher, lockwasher and regular nut.

TS-Terminals are brass screws No. 10-32 with one flatwasher, lockwasher and regular nut.

Approximate weight 4 lbs.



REGULATORY AGENCY APPROVALS  
 E93779  LR89403  
 Manufactured to meet the requirements of ANSI/IEEE C57.13,  
 Classified by U.L. in accordance with IEC 44-1

## Model 567TL, 567TS

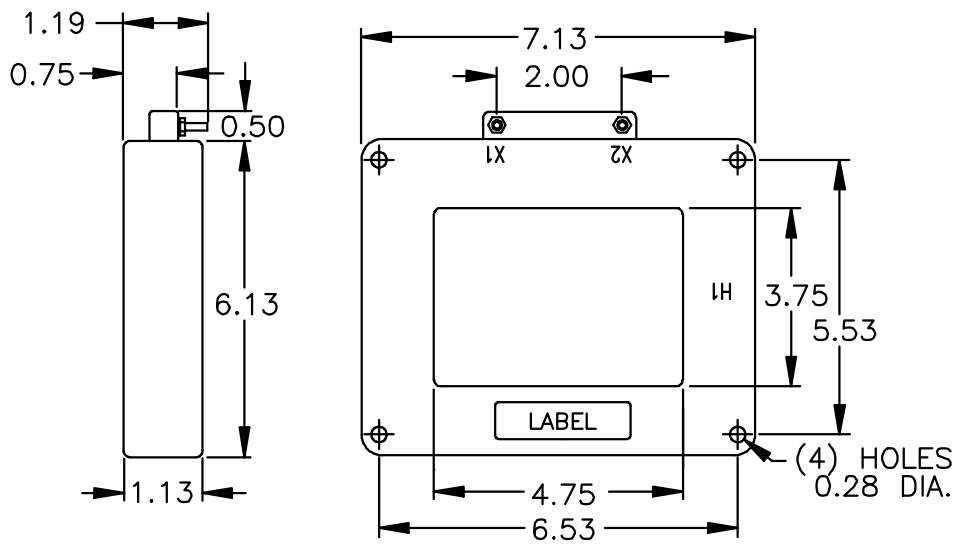
Catalog Number	Current Ratio	ANSI Metering Class at 60 HZ				
		BO.1	BO.2	BO.5	BO.9	B1.8
567**201	200:5	2.4	2.4	—	—	—
567**251	250:5	1.2	2.4	—	—	—
567**301	300:5	1.2	1.2	2.4	—	—
567**401	400:5	0.6	1.2	2.4	2.4	—
567**501	500:5	0.6	0.6	1.2	2.4	—
567**601	600:5	0.6	0.6	1.2	1.2	2.4
567**751	750:5	0.3	0.6	0.6	1.2	2.4
567**801	800:5	0.3	0.6	0.6	1.2	1.2
567**102	1,000:5	0.3	0.3	0.6	0.6	1.2
567**122	1,200:5	0.3	0.3	0.3	0.6	0.6
567**152	1,500:5	0.3	0.3	0.3	0.3	0.6
567**162	1,600:5	0.3	0.3	0.3	0.6	0.6
567**202	2,000:5	0.3	0.3	0.3	0.3	0.6
567**252	2,500:5	0.3	0.3	0.3	0.3	0.3
567**302	3,000:5	0.3	0.3	0.3	0.3	0.3
567**322	3,200:5	0.3	0.3	0.3	0.3	0.3

\*\*Note: When ordering, prefix Cat No. with model designation required i.e. 567TL—201, or 567TS—201, etc.

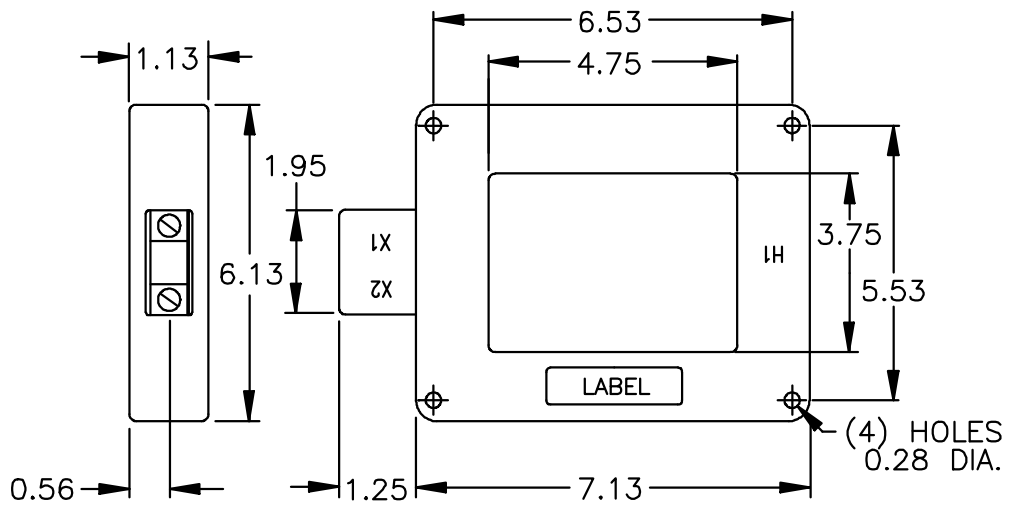


Models 567TL, 567TS

TL Style



TS Style



Grid-AIS-L4-ITL\_Model\_567-1326-2017\_05-EN. © Copyright 2017. General Electric Company and Instrument Transformers LLC reserve the right to change specifications of described products at any time without notice and without obligation to notify any person of such changes.

